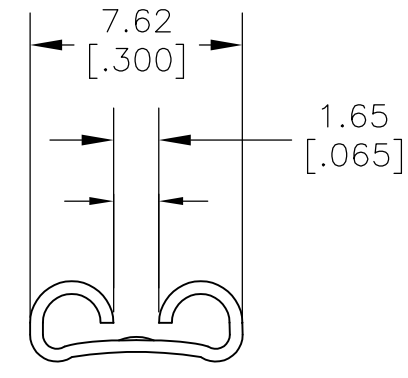
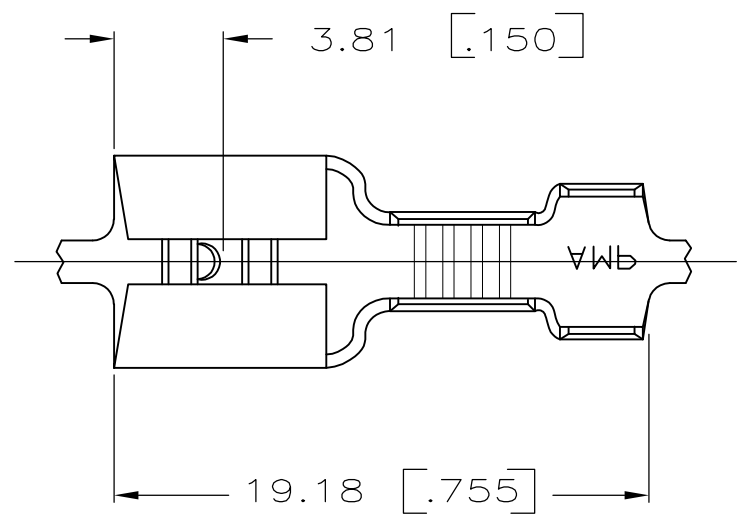
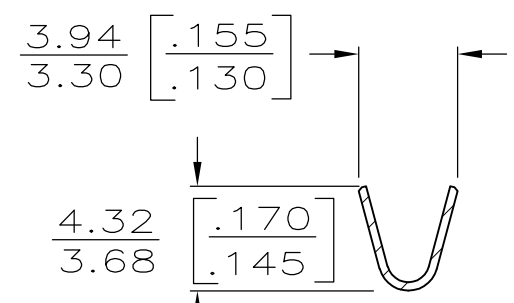
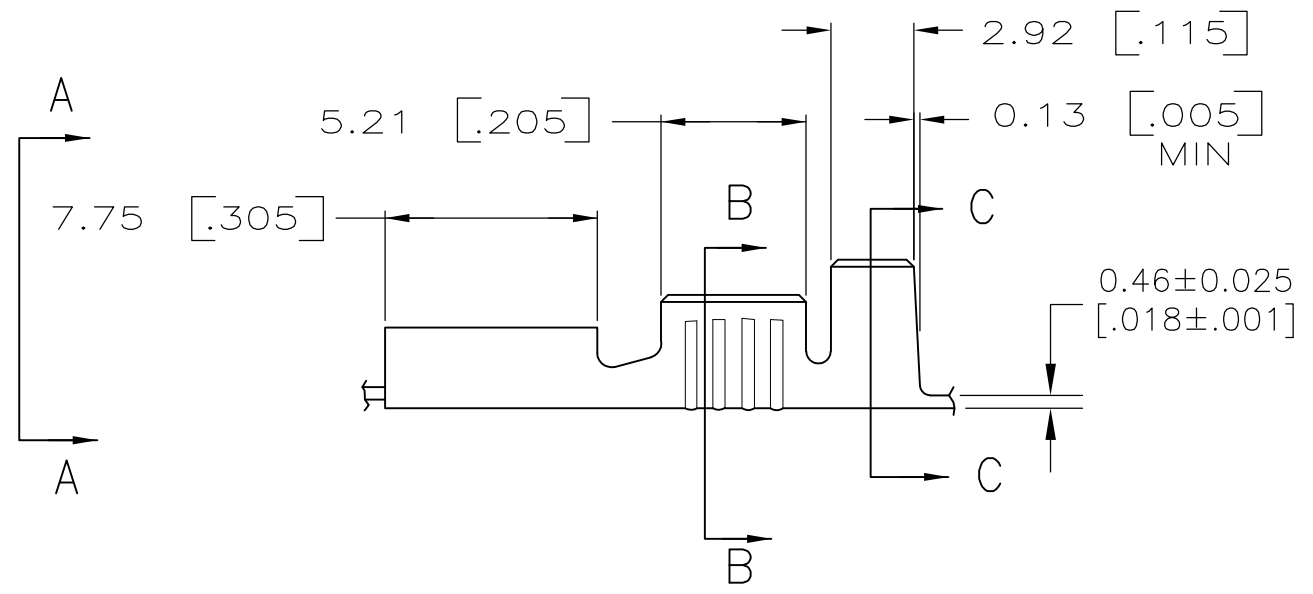


LOC	DIST	REVISIONS					
AF	50	P	LTR	DESCRIPTION	DATE	DWN	APVD
			U1	REVISED PER ECR-14-000489	11MAR2014	KB	RP

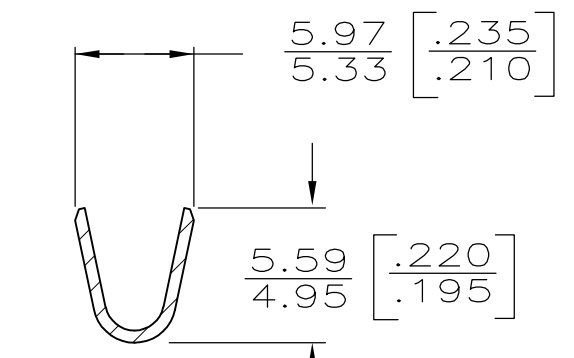
- 1 DIM'S IN BRACKETS ARE IN INCHES
- 2 CONTINUOUS STRIP ON REELS
- 3 WIRE SIZE 0.8-2.0mm [#18-#14] AWG
- 4 INSULATION RANGE IS 3.05-4.32 [.120-.170] DIA.
- 5 MATING TAB THK IS 0.81±0.025 [.032±.001].
- 6 0.38 X 15° [.015 X 15°] SWAGE ON FRONT OF RECEPTACLE. FOR FOREIGN PRODUCTION ONLY.



VIEW A-A



SECT B-B



SECT C-C

TIN	BRASS	6	41274-1
TIN	BRASS		41274
FINISH	MATERIAL		PART NO.

F OR O	4.57 [.180]	6.4 [.252]	F	3.05 [.120]	1.90 [.075]	2.0MM [14]
					1.68 [.066]	1.3MM [16]
					1.55 [.06]	0.8MM [18]
TYPE	WIDTH	STRIP LENGTH ±.015	TYPE	WIDTH	±.051 [±.002] HEIGHT	WIRE
INSUL BARREL CRIMP			WIRE BARREL CRIMP			

THIS DRAWING IS A CONTROLLED DOCUMENT.

DWN	JR RUTH	2/5/86
CHK	G YETTER	2/5/86
APVD	R KUZO	2/5/86
PRODUCT SPEC		
APPLICATION SPEC		
WEIGHT		
CUSTOMER DRAWING		

STE TE Connectivity

NAME: .250 SERIES FASTON RECEPTACLE

SIZE: A3 CAGE CODE: 00779 DRAWING NO: C-41274 RESTRICTED TO: -

SCALE: 4:1 SHEET: 1 OF 1 REV: U1